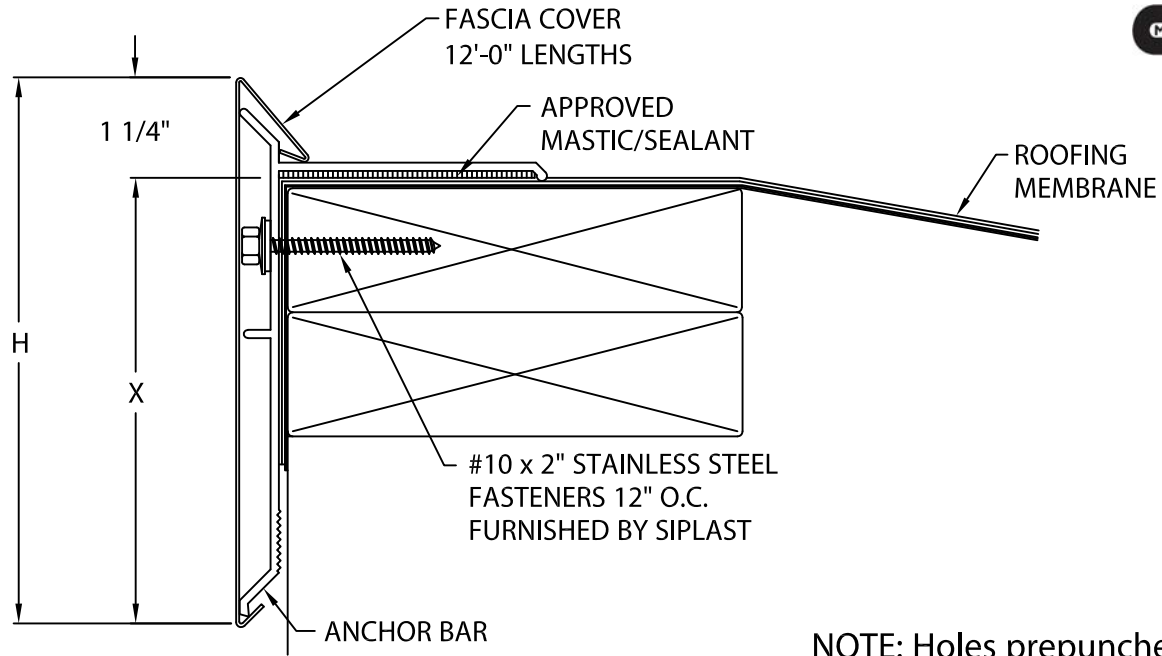




# PARAGUARD EXTRUDED EDGE AT FASCIA

STANDARD VERSION

ANSI/SPRI ES-1 DESIGN PRESSURE OF UP TO 275 psf



NOTE: Holes prepunched 1" down centered in 1st nailer

## PARAGUARD EXTRUDED EDGE AT FASCIA DIMENSIONS

PRODUCT IDENT. NO.	H DIM	X DIM	NAILER COVERAGE
<input type="checkbox"/> AFM-55	5 1/2"	4 1/4"	1 NAILER
<input type="checkbox"/> AFM-70	7"	5 3/4"	2 NAILERS
<input type="checkbox"/> AFM-85	8 1/2"	7 1/4"	4 NAILERS

## MATERIAL:

\_\_\_ 24 GA. GALV. STEEL

\_\_\_ .040" ALUMINUM

\_\_\_ OTHER \_\_\_\_\_

COLOR: \_\_\_\_\_ FINISH: \_\_\_\_\_

Fabrication will proceed only after receipt of signed print approval.

## Print Approval:

Contractor shall verify all dimensions, sizes and quantities. All products to be installed in strict accordance with Siplast's printed instructions.

Approved by: \_\_\_\_\_

Date: \_\_\_\_\_

## QUANTITIES:

\_\_\_\_\_ LINEAL FEET 12'-0" LENGTHS

\_\_\_\_\_ OUTSIDE MITER(S) @ 90°

\_\_\_\_\_ INSIDE MITER(S) @ 90°

\_\_\_\_\_ OVERFLOW SCUPPER(S) STYLE \_\_\_A\_\_\_B

\_\_\_\_\_ SPILLOUT SCUPPER(S) STYLE \_\_\_A\_\_\_B

\_\_\_\_\_ DOWNSPOUT SCUPPER(S) STYLE \_\_\_A\_\_\_B

( \_\_\_X\_\_\_ ) SIZE A: TAPERED 1 1/2" DROP  
B: FLAT

FOR NON-90 MITERS SEE PRINT APPROVAL #44010-15636

PROJECT:

ROOFING CONTRACTOR:

SHIP TO ADDRESS:

CITY, STATE, ZIP:

PHONE: 800-922-8800

EMAIL: PGUARD@SIPLAST.COM



DATE: 12/07/18

DRN BY: JJC

CKD BY: SAK

SHT.# \_\_\_ OF \_\_\_

DWG# 44010-15631

J