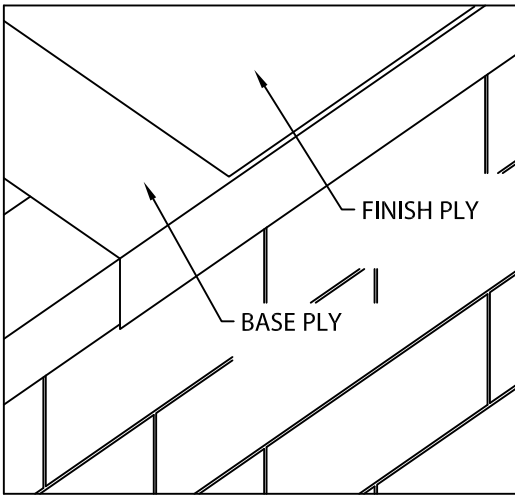




# PARAGUARD EXTRUDED EDGE AT HGFASCIA

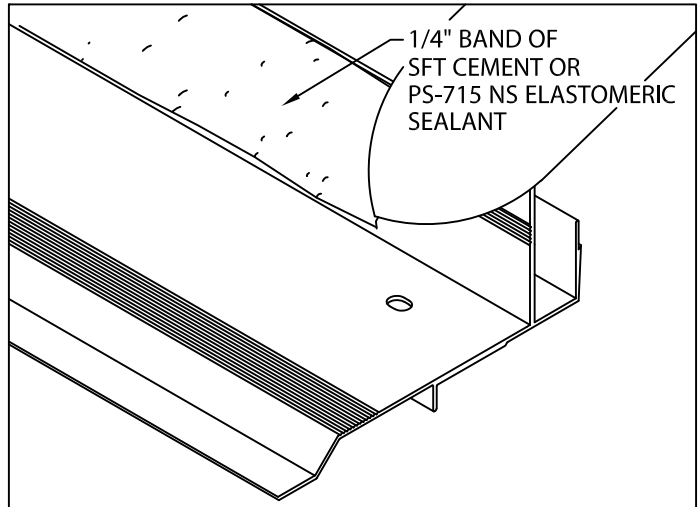
HEAVY GAUGE VERSION

## INSTALLATION INSTRUCTIONS



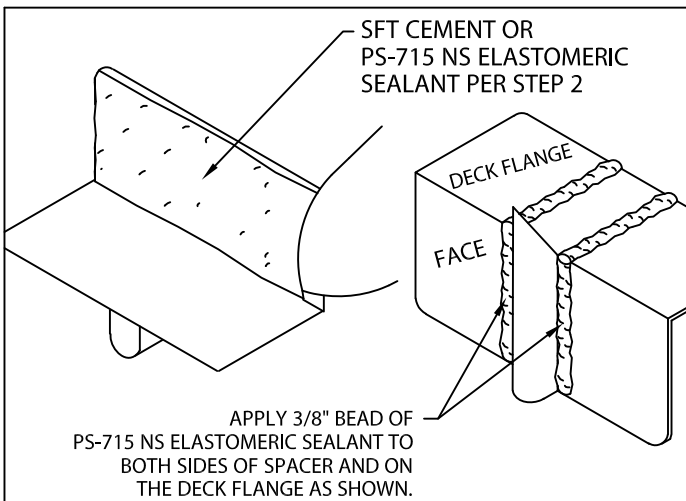
### 1. Roofing Membrane

Follow Siplast specifications and details for approved membrane configuration at the roof edge. Position modified membrane over the roof edge and down the outside face as shown.



### 2. Miter & Scupper Anchor Bar (Preparation)

Lay miters on deck with outside face down. Be sure aluminum anchor bar is clean and free of dirt or dust. Apply a 3" wide 1/4" thick band of SFT Cement or PS-715 NS Elastomeric Sealant to the back of the anchor bar as shown. Application of SFT Cement or PS-715 NS Elastomeric Sealant is required along the full length of each miter anchor bar.

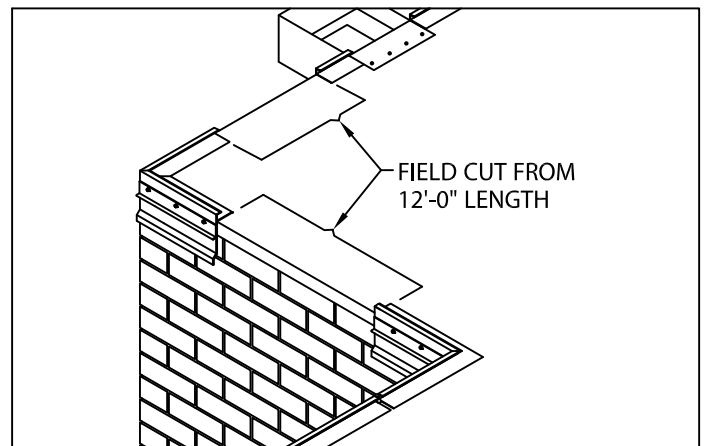


### 3. Anchor Bar Splice Plates

Apply SFT Cement or PS-715 NS Elastomeric Sealant to each splice plate as shown and as described in STEP 2.

**CAUTION!** Installers shall wear protective eyewear to prevent injury. Do not over-drive fasteners, as stripping can occur at high driver torque. Recommended driving tool: 600-800 rpm electric drill equipped with depth-sensing nosepiece to prevent over-driving and stripout.

Do not use impact type tool.



### 4. Miter Bar Installation

Install miters using 2" stainless steel fasteners and driver bit furnished by Siplast. Fasten anchor bar corners to nailer with one splice plate under each end of corner. The anchor bar splice plate must be snug to ends of anchor bar.



PHONE: 800-922-8800  
EMAIL: PGUARD@SIPLAST.COM

DATE: 12/11/18  
DRN BY: JJC  
CKD BY: SAK

SHT.# 1 OF 2

DWG# 44110-15645

H

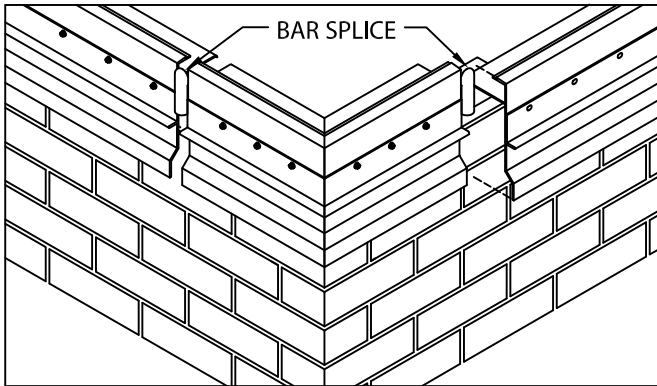


# PARAGUARD EXTRUDED EDGE AT HG FASCIA

HEAVY GAUGE VERSION

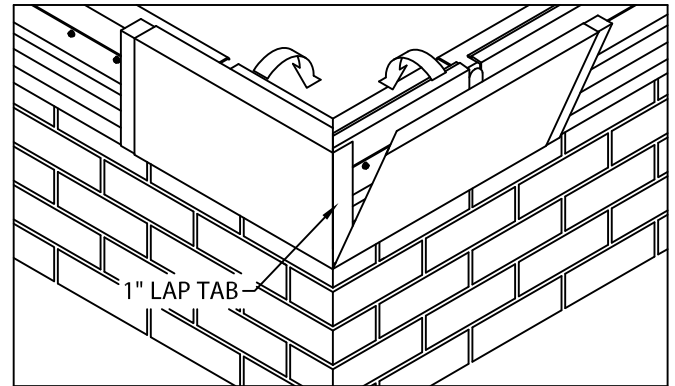
## INSTALLATION INSTRUCTIONS

**IMPORTANT!** Be sure to remove protective plastic film prior to installing each fascia section.



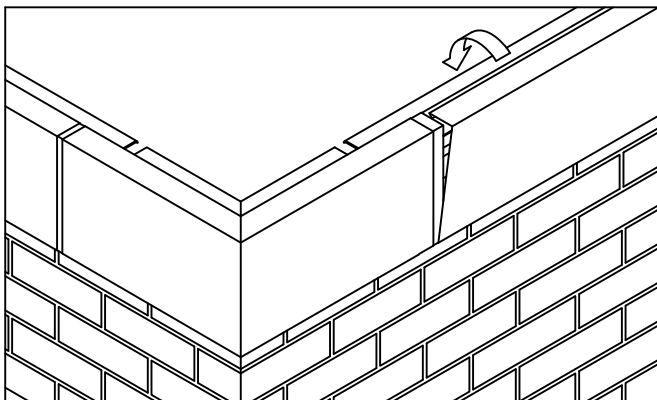
### 5. Anchor Bar Installation

Position 12' anchor bar sections with PS-715 NS Elastomeric Sealant as shown in step 3, overlapping anchor bar splice plate. Allow  $\frac{1}{2}$ " space between anchor bars. Install anchor bar splice plate at other end of bar section. Fasten anchor bar 12" O.C. through slotted holes using provided 2" fasteners. Field cut sections as necessary.



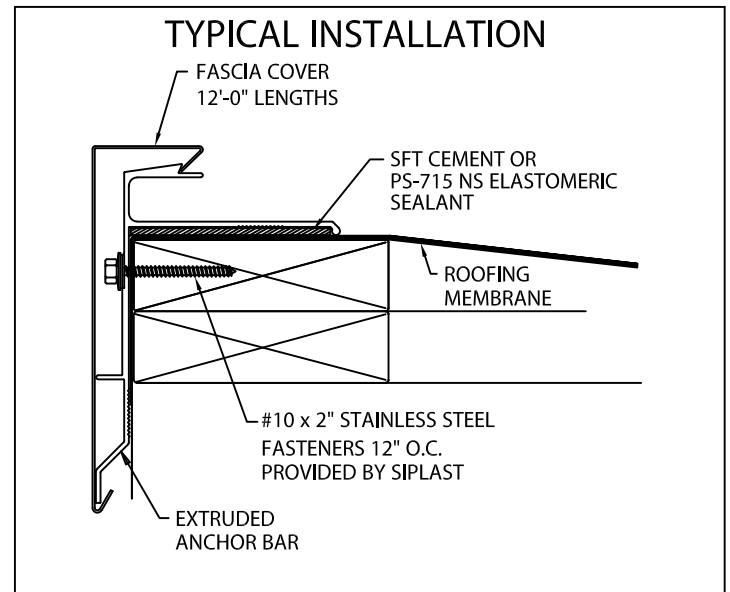
### 6. Fascia Miter Covers

Install miter covers first. Insert one splice plate under each end of the two piece miter cover. Engage cover with 90° tab onto bottom of anchor bar and rotate miter cover up and over anchor bar miter until engaged along entire length of the anchor bar. Repeat steps to install miter cover without the 90° tab.



### 7. Fascia Covers

Install 12'-0" fascia cover sections. Allow a  $\frac{3}{8}$ " gap between fascia cover sections. Insert one splice plate under far end of each fascia cover section. Install cover by hooking lower edge of cover onto anchor bar and rotating cover up and over anchor bar until engaged along entire length of cover section. Continue to install cover sections in this manner, field cutting where necessary using a fine tooth hacksaw.



**IMPORTANT!** Be sure to remove protective film prior to installing each fascia section.



PHONE: 800-922-8800  
EMAIL: PGUARD@SIPLAST.COM

DATE: 12/11/18  
DRN BY: JJC  
CKD BY: SAK

SHT.# 2 OF 2  
DWG# 44110-15645

H