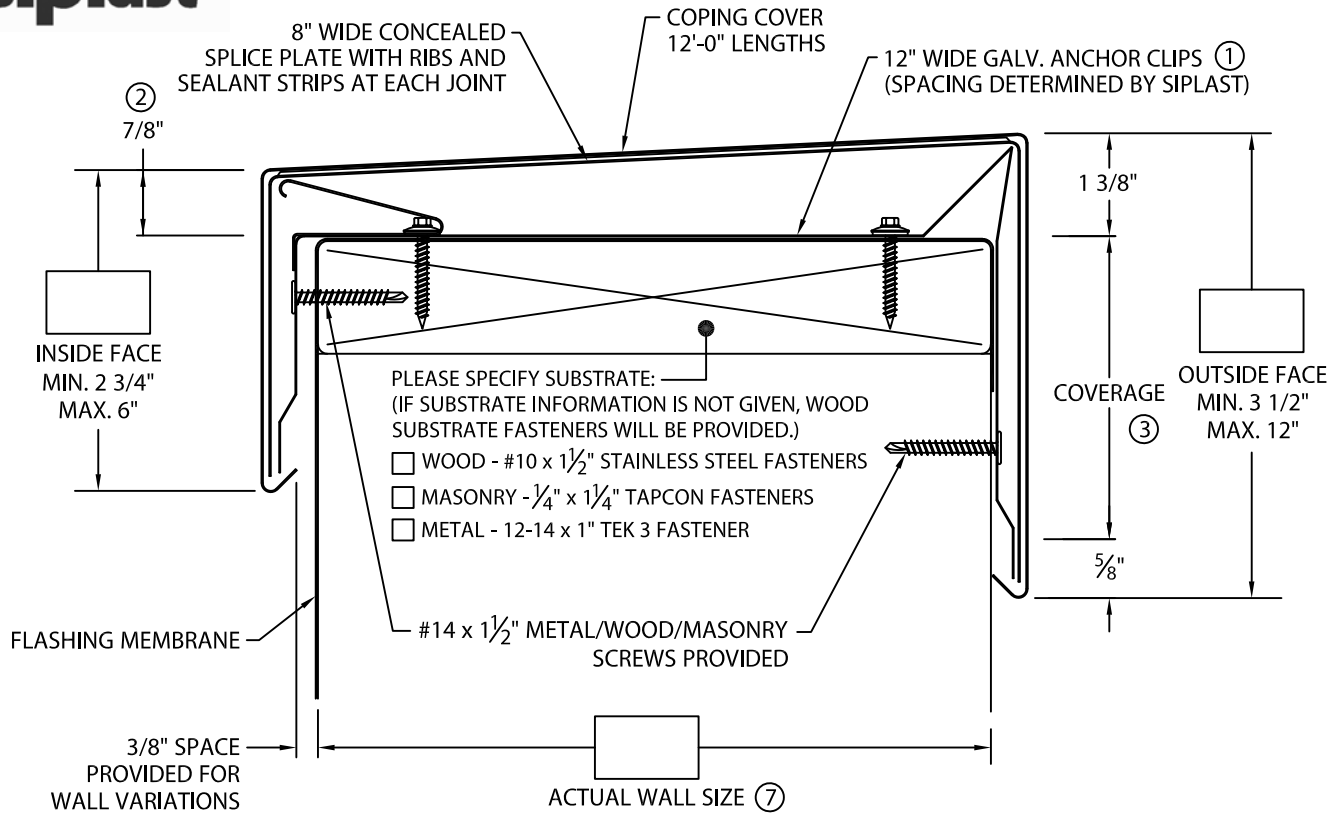


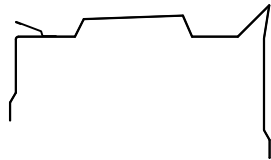


# PARAGUARD L COPING TAPERED VERSION



### NOTES:

- ① ANCHOR CLIP PROFILE ON WALLS GREATER THAN 14".
- ② IF WALL SIZE IS OVER 16", THE RISE IS 5/8".
- ③ FACE = COVERAGE (SHOULD EXTEND A MIN. OF 1" BELOW FLASHING MEMBRANE) + 2".
- ④ 24 GA. GALV. AND .040" ALUM. COPING COVERS AVAILABLE FOR WALL SIZES 3 1/2" TO 24" ONLY.
- ⑤ WELDED ACCESSORIES REQUIRE A MINIMUM MATERIAL THICKNESS OF .050".
- ⑥ FOR NON 90° MITERS PLEASE USE PRINT APPROVAL #44011-28217.
- ⑦ WALL SIZE INCLUDES MEMBRANE FLASHING THICKNESS.



### MATERIAL:

\_\_\_ 24 GA. GALVANIZED STEEL ④    \_\_\_ .040" ALUMINUM ④  
 \_\_\_ 22 GA. GALVANIZED STEEL    \_\_\_ .050" ALUMINUM  
 \_\_\_ OTHER \_\_\_\_\_    \_\_\_ .063" ALUMINUM  
 COLOR: \_\_\_\_\_ FINISH: \_\_\_\_\_

### QUANTITIES:

\_\_\_\_\_ LINEAL FEET 12'-0" LENGTHS

### ACCESSORIES:

\_\_\_ OUTSIDE MITERS @ 90° ⑥    SPECIFY  
 \_\_\_ INSIDE MITERS @ 90° ⑥    ACCESSORY TYPE:  
 \_\_\_ RIGHT ENDCAPS     WELDED ⑤  
 \_\_\_ LEFT ENDCAPS     QUICKLOCK  
 \_\_\_ RIGHT ENDWALL (COPING VERSION)  
 \_\_\_ LEFT ENDWALL (COPING VERSION)  
 \_\_\_ RIGHT ENDWALL (SPlice PLATE VERSION)  
 \_\_\_ LEFT ENDWALL (SPlice PLATE VERSION)

AUTHORIZED SIGNATURE:

APPROVED BY: \_\_\_\_\_

DATE: \_\_\_\_\_



ANSI/SPRI/FM  
4435 ES-1 TESTED

PROJECT:

ROOFING CONTRACTOR:

SHIP TO ADDRESS:

CITY, STATE, ZIP:

PHONE: 800-922-8800  
EMAIL: PGUARD@SIPLAST.COM

DATE: 04/26/18

DRN BY: JJC

CKD BY: SAK

SHT.# \_\_\_ OF \_\_\_

DWG# 44011-28586

A