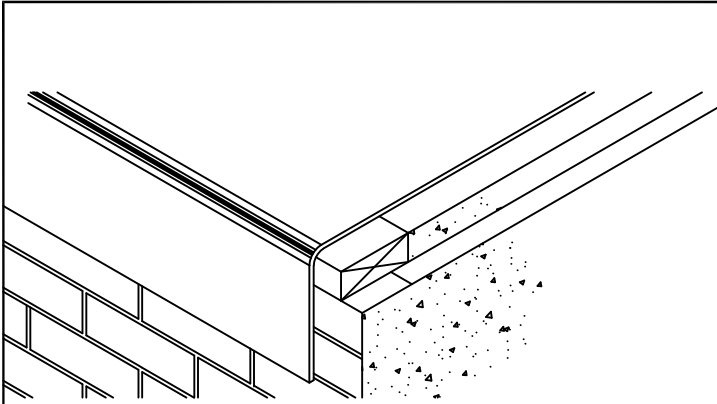


PARAGUARD M RAISED EDGE

INSTALLATION INSTRUCTIONS

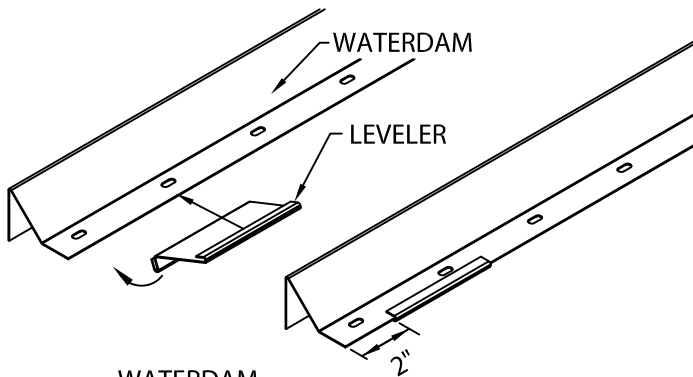


1. MEMBRANE

POSITION BASE PLY OVER THE ROOF EDGE COVERING COMPLETELY.

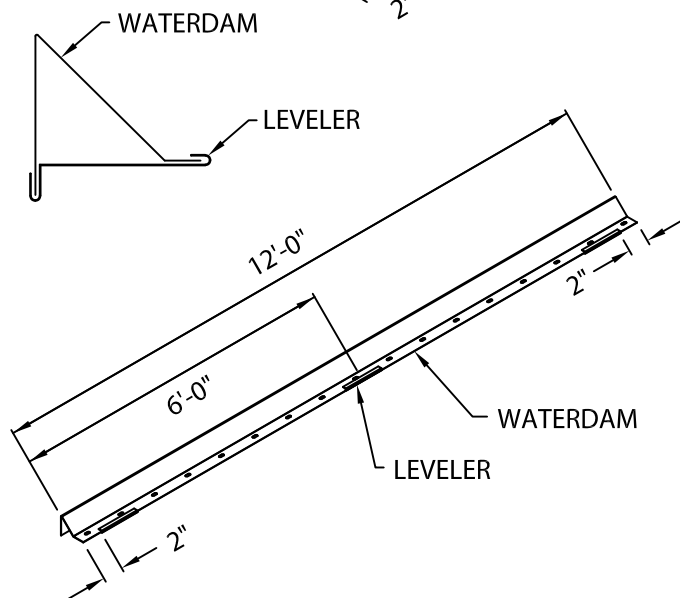
NOTE : FOLLOW SIPLAST STANDARD SPECIFICATIONS AND DETAILS FOR MEMBRANE APPLICATION.

CAUTION : TAKE EXTREME CARE TO AVOID SPILLAGE OF THE ADHESIVES OVER THE EDGE.



2. WATERDAM & LEVELER

POSITION LEVELER 2" FROM END OF WATERDAM, HOOKING ONTO WATERDAM AND ROTATING INTO PLACE AS SHOWN. DO THE SAME AT THE OTHER END OF 12'-0" LENGTH OF WATERDAM. ALSO PLACE A LEVELER IN CENTER OF 12'-0" LENGTH (3 LEVELERS PER 12'-0" LONG WATERDAM). DO THE SAME FOR MITERS, 2" FROM END OF WATERDAM (2 LEVELERS PER MITER).



PHONE: 800-922-8800
EMAIL: PGUARD@SIPLAST.COM

DATE: 04/02/19

DRN BY: ZS

CKD BY: SAK

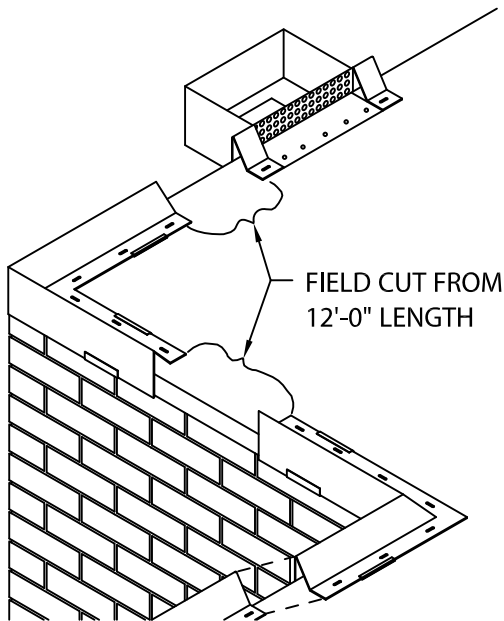
SHT.# 1 OF 7

DWG# 44110-30316

C

PARAGUARD M RAISED EDGE

INSTALLATION INSTRUCTIONS

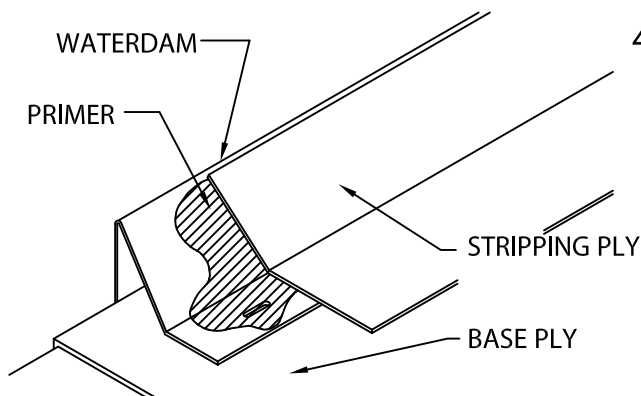


3. WATERDAM

LOCATE AND INSTALL WATERDAM MITERS, AND SCUPPERS FIRST. FASTEN ON TOP OF NAILER THROUGH PRE-PUNCHED HOLES PROVIDED. NEXT, INSTALL 12'-0" SECTIONS OF WATERDAM FROM RIGHT TO LEFT (AS SEEN FROM ROOF TOP) BY NAILING THROUGH PREPUNCHED HOLES PROVIDED ON TOP OF NAILER. BE SURE TO OVERLAP WATERDAM 1".

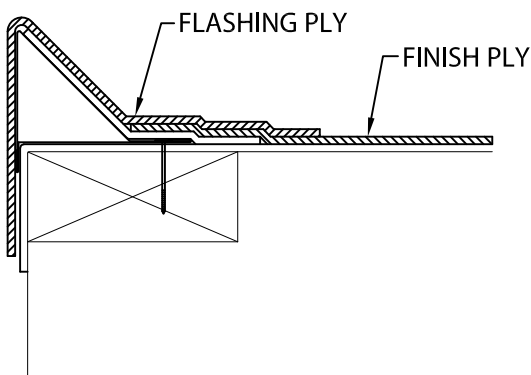
NOTE: FASTENERS MUST BE CORROSION RESISTANT AND RATED FOR A MINIMUM 250# PULLOUT FORCE FOR THE SUBSTRATE THAT IS BEING USED.

CAUTION: INSTALLERS SHOULD WEAR PROTECTIVE EYEWEAR TO PREVENT INJURY.



4. MEMBRANE

PRIME THE WATERDAM USING SIPLAST ASPHALT PRIMER ACCORDING TO THE SPECIFIED RATE AND ALLOW TO THOROUGHLY DRY. FULLY ADHERE THE SPECIFIED SIPLAST STRIPPING PLY, EXTENDING FROM THE TOP OF THE WATERDAM TO 6" ONTO THE ROOF SURFACE.



5. MEMBRANE

INSTALL REMAINING MEMBRANE AS SHOWN PER SIPLAST SPECIFICATIONS AND DETAILS.



PHONE: 800-922-8800
EMAIL: PGUARD@SIPLAST.COM

DATE: 04/02/19
DRN BY: ZS
CKD BY: SAK

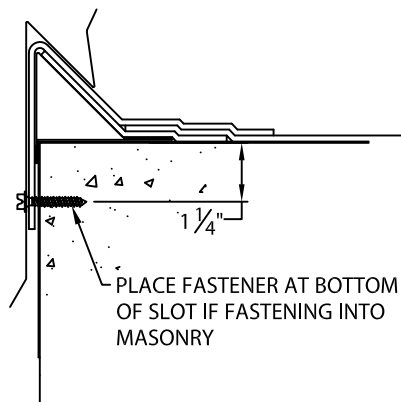
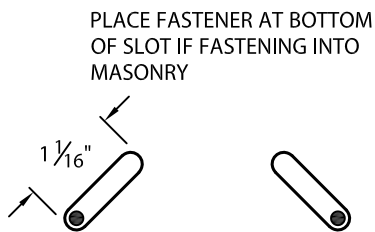
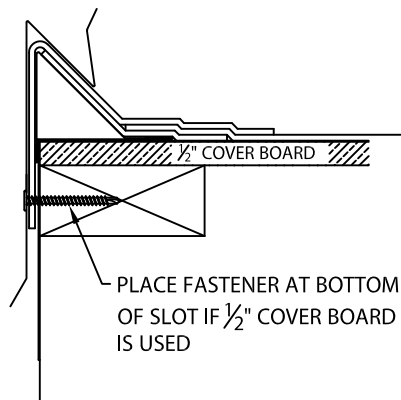
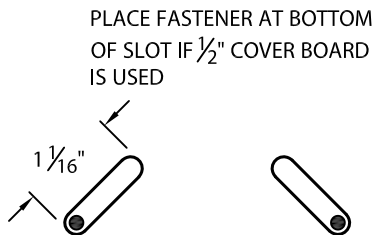
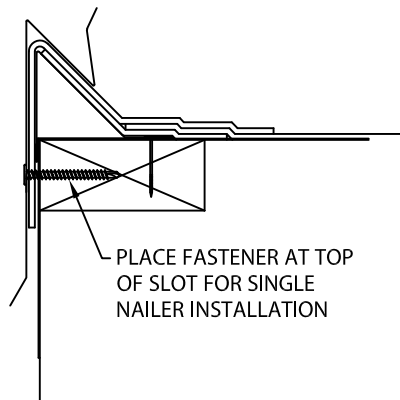
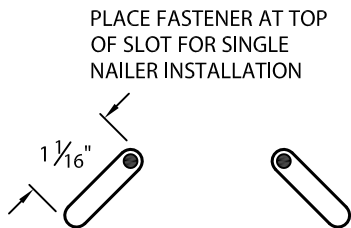
SHT.# 2 OF 7
DWG# 44110-30316 **C**

PARAGUARD M RAISED EDGE

INSTALLATION INSTRUCTIONS

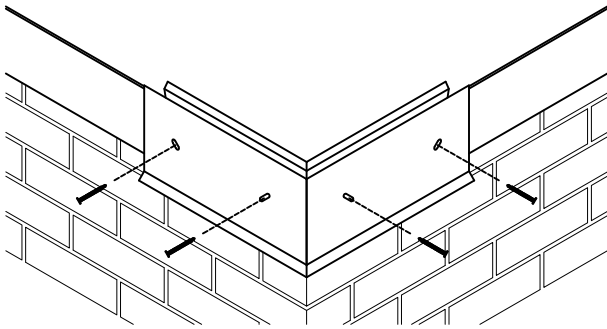
DIAGONAL SLOT FORMED RAIL INSTALLATION

NOTE: IF THE SLOTS ON THE FORMED RAIL ARE ALL HORIZONTAL, NOT DIAGONAL, FASTEN IN THE CENTER OF THE SLOT



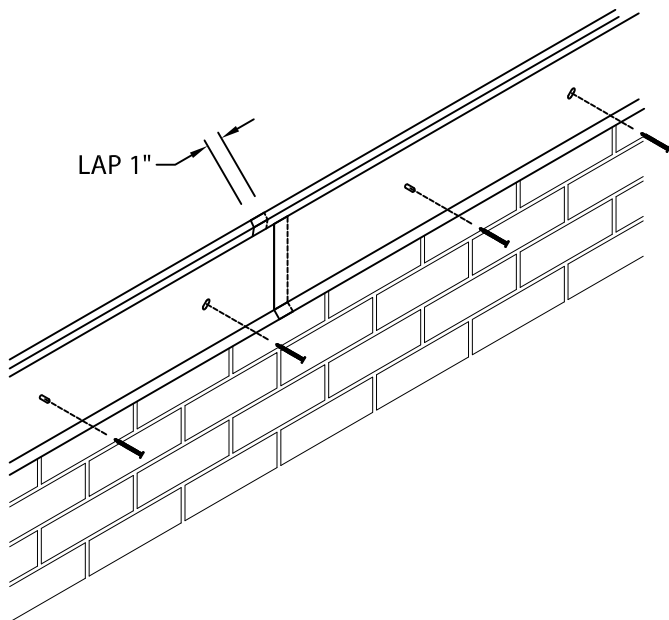
PARAGUARD M RAISED EDGE

INSTALLATION INSTRUCTIONS



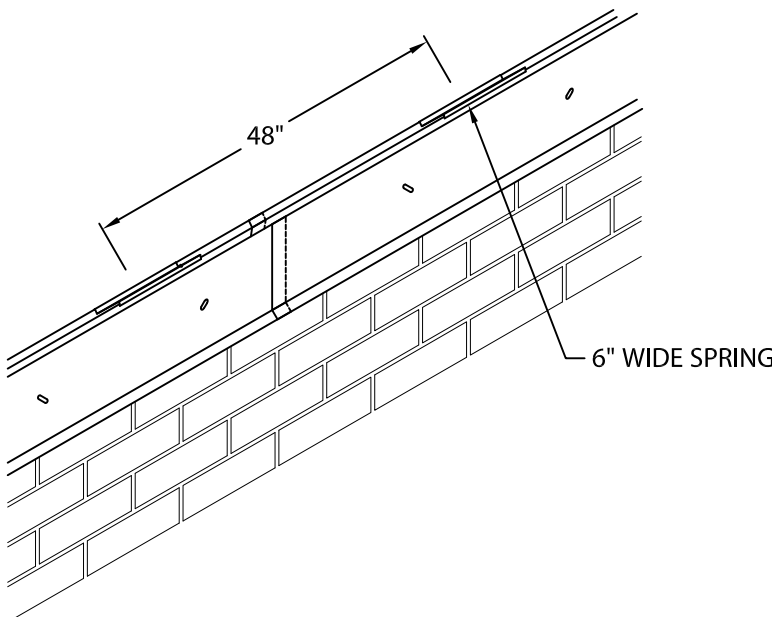
6. MITER RAIL INSTALLATION

INSTALL MITER RAIL. FASTEN THE RAIL BAR USING FASTENERS PROVIDED. NEXT LOCATE AND INSTALL THE SPILLOUTS AND SCUPPERS WITH PROVIDED FASTENERS.



7. BASE RAIL INSTALLATION

INSTALL 12'-0" SECTION OF BASE RAIL FROM RIGHT TO LEFT AS SEEN FROM ROOF TOP, LAPPING THE PREVIOUS SECTION 1". FASTEN BASE RAIL TO NAILER(S) THROUGH BASE RAIL SLOTS 12" O.C. WITH PROVIDED FASTENERS. FIELD CUT THE BASE RAIL SECTIONS AS NEEDED.



8. SPRING CLIPS

PLACE 6" SPRINGS 4'-0" O.C., MAKING SURE THERE WILL BE A SPRING CLIP UNDER EACH FASCIA COVER END.



PHONE: 800-922-8800
EMAIL: PGUARD@SIPLAST.COM

DATE: 04/02/19

DRN BY: ZS

CKD BY: SAK

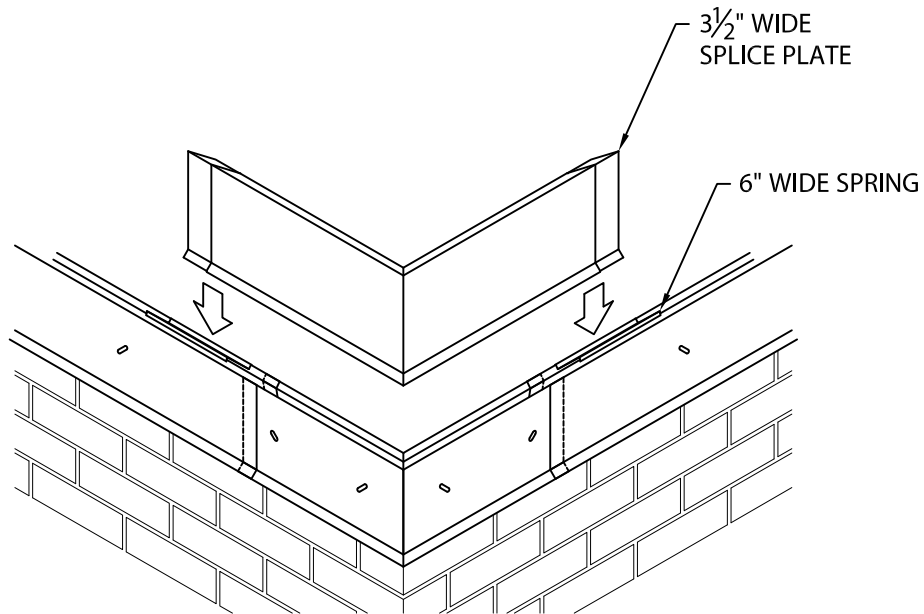
SHT.# 4 OF 7

DWG# 44110-30316

C

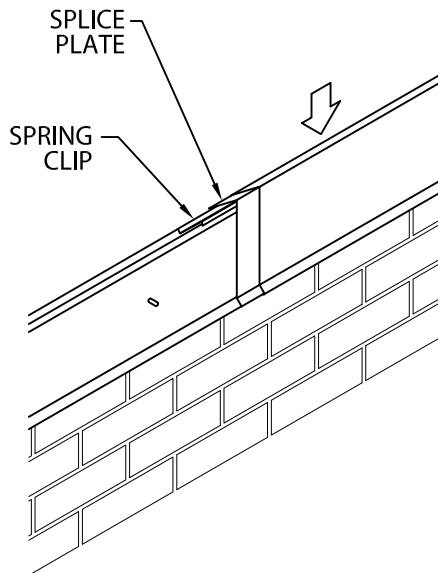
PARAGUARD M RAISED EDGE

INSTALLATION INSTRUCTIONS



9. MITERS

PLACE SPLICE PLATE INTO EACH END OF MITER COVER. SIMPLY POSITION THE COVER ABOVE THE RAIL AND WITH PALM OF HAND APPLY SLIGHT PRESSURE DOWNWARD UNTIL ENGAGED TO THE BOTTOM OF BASE RAIL.



10. SPLICE PLATES

REMOVE THE PROTECTIVE FILM FROM FASCIA COVERS. FASCIA COVERS SHALL BE INSTALLED FROM LEFT TO RIGHT AS SEEN FROM ROOF TOP. PLACE SPLICE PLATE IN RIGHT END OF COVER. SNAP RIGHT COVER ONTO BASE RAIL BY APPLYING DOWNWARD PRESSURE WITH PALM OF HAND UNTIL THE FASCIA COVER IS FULLY ENGAGED ALONG ENTIRE LENGTH. FIELD CUT COVERS AS REQUIRED WITH FINE TOOTH HACKSAW.

IMPORTANT !

BE SURE TO REMOVE PROTECTIVE FILM PRIOR TO INSTALLING EACH FASCIA SECTION.



PHONE: 800-922-8800
EMAIL: PGUARD@SIPLAST.COM

DATE: 04/02/19

DRN BY: ZS

CKD BY: SAK

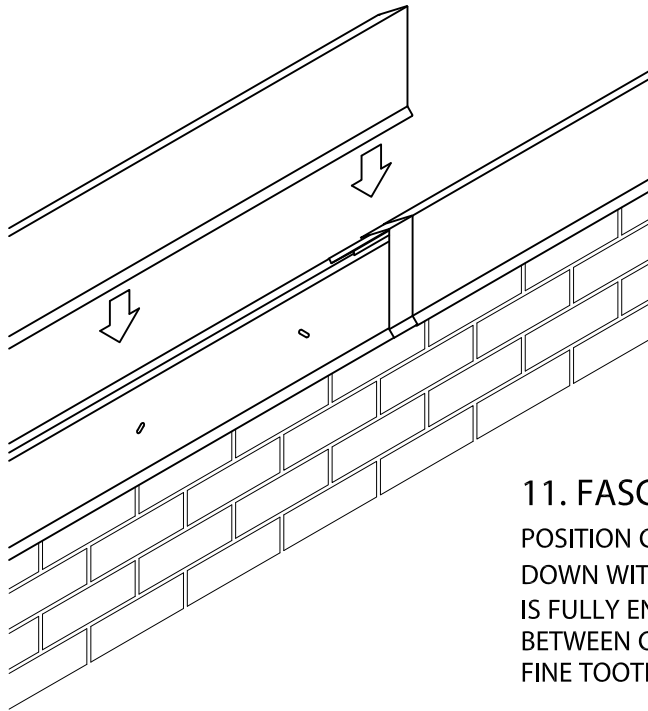
SHT.# 5 OF 7

DWG# 44110-30316

C

PARAGUARD M RAISED EDGE

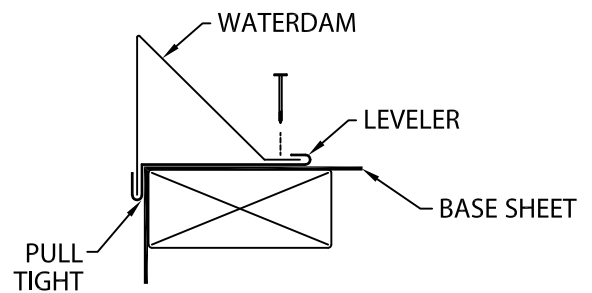
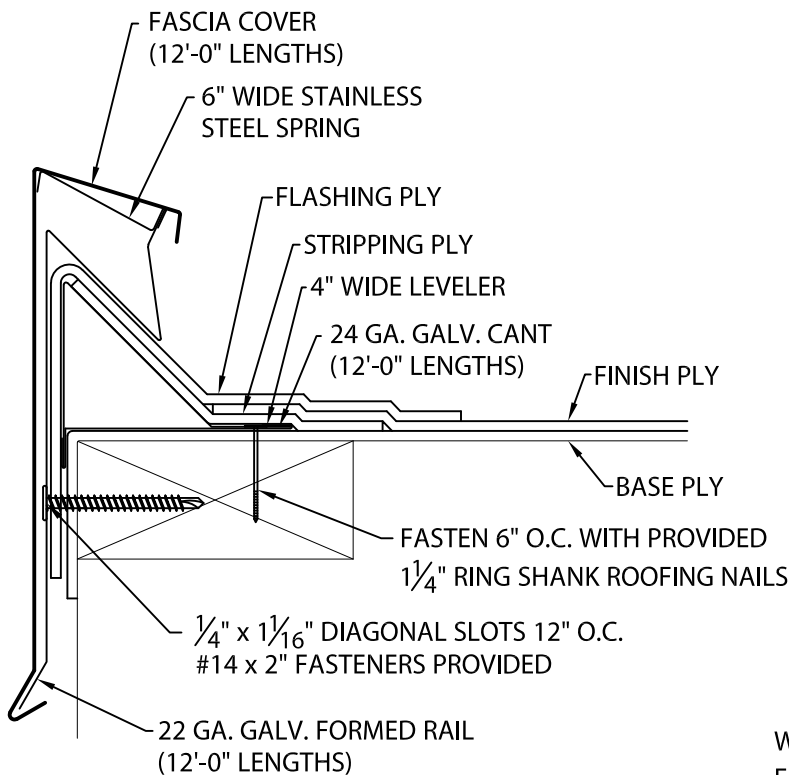
INSTALLATION INSTRUCTIONS



11. FASCIA COVERS

POSITION COVER AND SNAP ONTO BASE RAIL BY PRESSING DOWN WITH THE PALM OF YOUR HAND UNTIL THE COVER IS FULLY ENGAGED ALONG THE ENTIRE LENGTH. ALLOW A 3/8" GAP BETWEEN COVER SECTIONS. FIELD CUT WHERE NECESSARY USING A FINE TOOTH HACKSAW.

TYPICAL INSTALLATION



WATERDAM MUST BE PULLED TIGHT TO THE OUTSIDE FACE OF THE BUILDING BEFORE NAILING THE ROOF FLANGE.



PHONE: 800-922-8800
EMAIL: PGUARD@SIPLAST.COM

DATE: 04/02/19
DRN BY: ZS
CKD BY: SAK

SHT.# 6 OF 7
DWG# 44110-30316

C

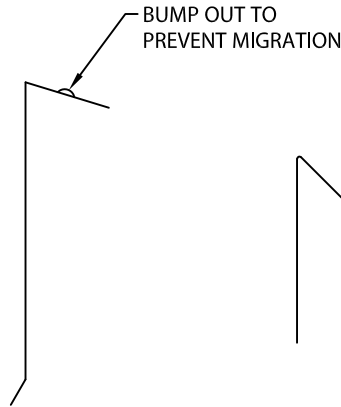
PARAGUARD M RAISED EDGE

INSTALLATION INSTRUCTIONS

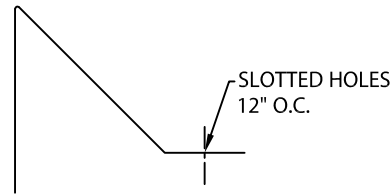
COMPONENT LIST



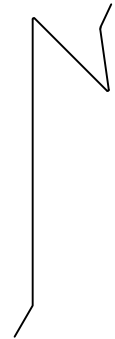
FASCIA COVER
12'-0" LENGTHS



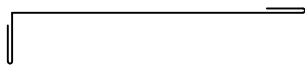
COVER SPLICE PLATE
3½" WIDE



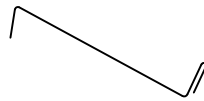
WATERDAM
12'-0" LENGTHS



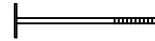
FORMED RAIL
12'-0" LENGTHS



LEVELER
4" WIDE



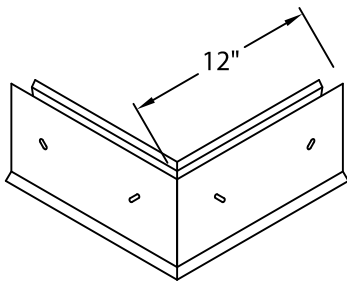
6" WIDE SPRING



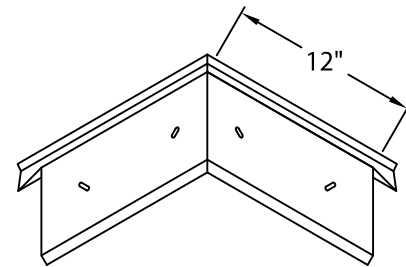
1¼" RING SHANK ROOFING
NAIL FOR INSTALLING
WATERDAM



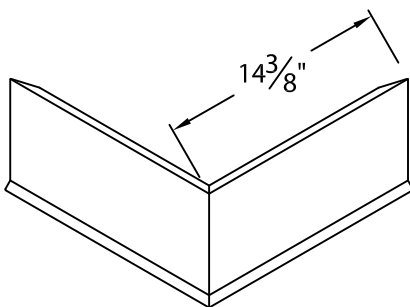
#14 x 2" FASTENER FOR
INSTALLING FORMED RAIL



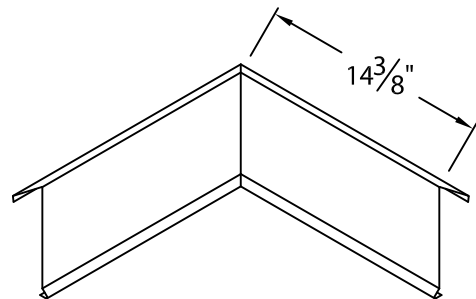
OUTSIDE FORMED RAIL MITER



INSIDE FORMED RAIL MITER



OUTSIDE MITER COVER



INSIDE MITER COVER



PHONE: 800-922-8800
EMAIL: PGUARD@SIPLAST.COM

DATE: 04/02/19

DRN BY: ZS

CKD BY: SAK

SHT.# 7 OF 7

DWG# 44110-30316

C