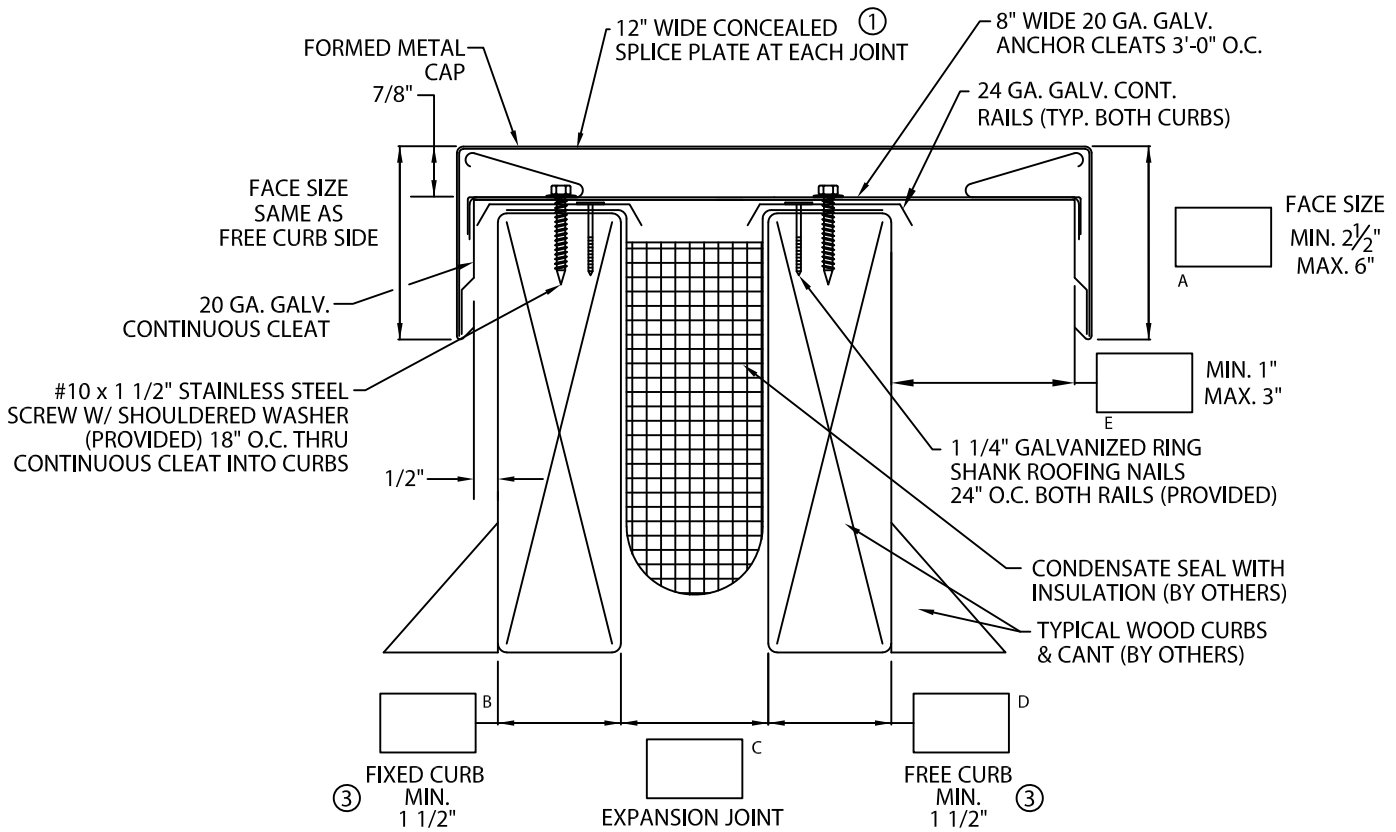


PARAGUARD EXPANSION JOINT

ROOF TO ROOF VERSION



FOR PURPOSES OF CLARITY THE SIPLAST MEMBRANE APPLICATION IS NOT SHOWN.

- ① CONCEALED SPLICE PLATES ARE PROVIDED WITH FACTORY APPLIED DUAL NON-CURING SEALANT STRIPS.
- ② WELDED ACCESSORIES REQUIRE A MINIMUM MATERIAL THICKNESS OF .050".
- ③ CURB SIZE INCLUDES MEMBRANE FLASHING THICKNESS.

MATERIAL:

___ 24 GA. GALV. STEEL ② ___ .050" ALUMINIUM
 ___ .040" ALUMINIUM ② ___ .063" ALUMINIUM
 ___ OTHER _____

COLOR: _____ FINISH: _____

QUANTITIES:

_____ LINEAL FEET 12'-0" LENGTHS SPECIFY ACCESSORY TYPE:
 _____ OUTSIDE MITER(S) @ (_____)° WELDED ②
 _____ INSIDE MITER(S) @ (_____)° QUICKLOCK
 _____ ENDCAP INSERT(S)
 _____ ENDWALL FLASHING(S)*
 * .040" MILL PAINTED/WELDED ONLY

Fabrication will proceed only after receipt of signed print approval.

Print Approval:

Contractor shall verify all dimensions, sizes and quantities. All products to be installed in strict accordance with Siplast's printed instructions.

Approved by: _____

Date: _____

PROJECT:

ROOFING CONTRACTOR:

SHIP TO ADDRESS:

CITY, STATE, ZIP:

PHONE: 800-922-8800

EMAIL: PGUARD@SIPLAST.COM



DATE: 12/10/18

DRN BY: JJC

CKD BY: SAK

SHT.# ____ OF ____

DWG# 44028-28587

C