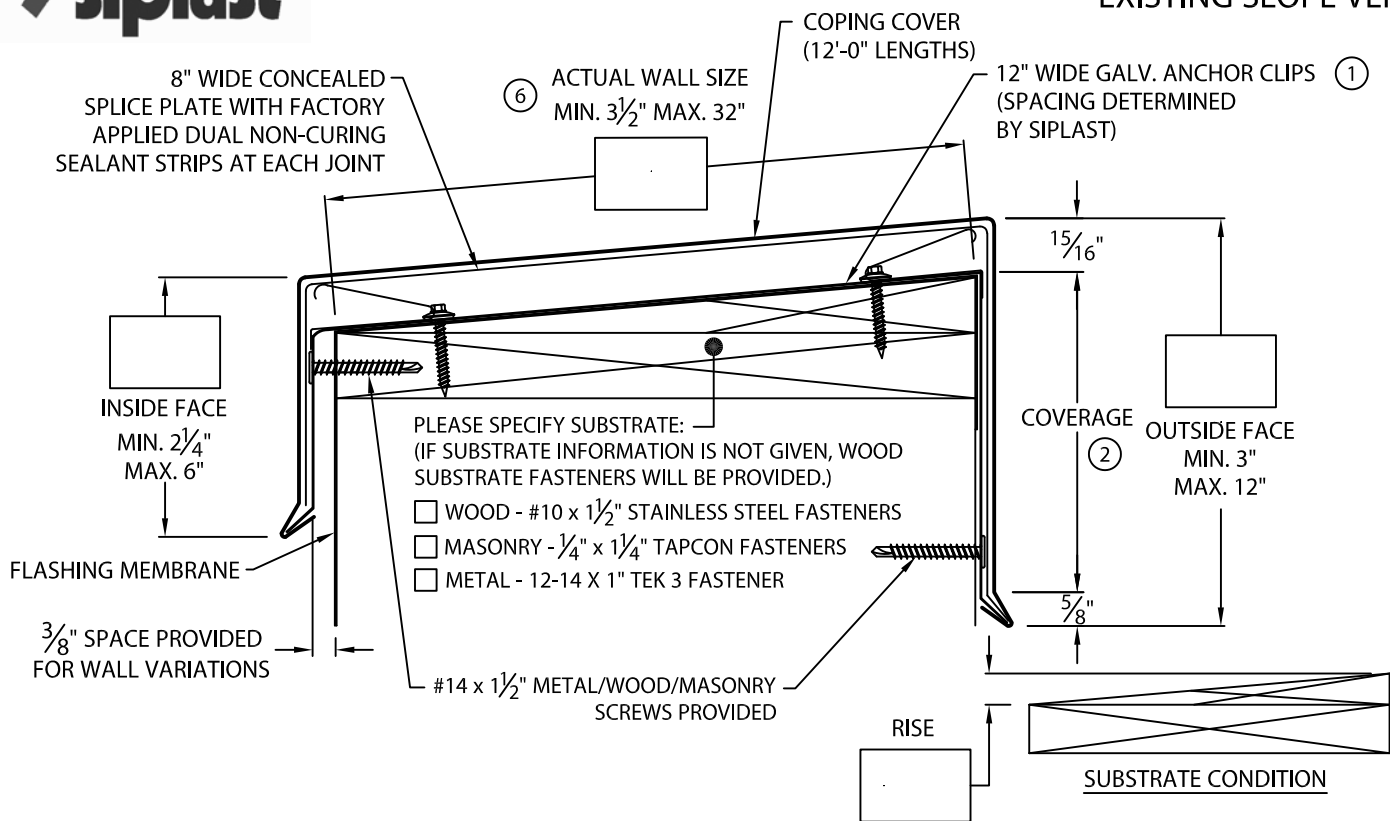




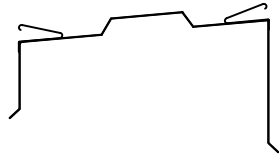
PARAGUARD M COPING

EXISTING SLOPE VERSION



NOTES:

- ① ANCHOR CLIP PROFILE ON WALLS GREATER THAN 14".
- ② FACE = COVERAGE (SHOULD EXTEND A MIN. OF 1" BELOW FLASHING MEMBRANE) + 1 9/16".
- ③ 24 GA. GALV. AND .040" ALUM. COPING COVERS AVAILABLE FOR WALL SIZES 3 1/2" TO 24" ONLY.
- ④ WELDED ACCESSORIES REQUIRE A MINIMUM MATERIAL THICKNESS OF .050".
- ⑤ FOR NON 90° MITERS PLEASE USE PRINT APPROVAL #44011-28217.
- ⑥ WALL SIZE INCLUDES MEMBRANE FLASHING THICKNESS.



MATERIAL:

___ 24 GA. GALVANIZED STEEL ③ ___ .040" ALUMINUM ③
 ___ 22 GA. GALVANIZED STEEL ___ .050" ALUMINUM
 ___ OTHER _____ ___ .063" ALUMINUM
 COLOR: _____ FINISH: _____

QUANTITIES:

_____ LINEAL FEET 12'-0" LENGTHS

ACCESSORIES:

___ OUTSIDE MITERS @ 90° ⑤ SPECIFY ACCESSORY TYPE:
 ___ INSIDE MITERS @ 90° ⑤ WELDED ④
 ___ RIGHT ENDCAPS QUICKLOCK
 ___ LEFT ENDCAPS
 ___ RIGHT ENDWALL (COPING VERSION)
 ___ LEFT ENDWALL (COPING VERSION)
 ___ RIGHT ENDWALL (SPLICE PLATE VERSION)
 ___ LEFT ENDWALL (SPLICE PLATE VERSION)

AUTHORIZED SIGNATURE:

APPROVED BY: _____

DATE: _____



ANSI/SPRI ES-1 TESTED

PROJECT:

ROOFING CONTRACTOR:

SHIP TO ADDRESS:

CITY, STATE, ZIP:

PHONE: 800-922-8800
 EMAIL: PGUARD@SIPLAST.COM

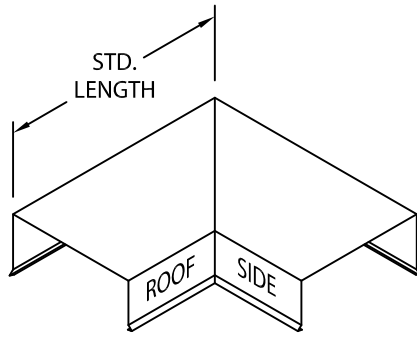
DATE: 12/07/18
 DRN BY: JJC
 CKD BY: SAK

SHT.# ___ OF ___
 DWG# 44011-28219

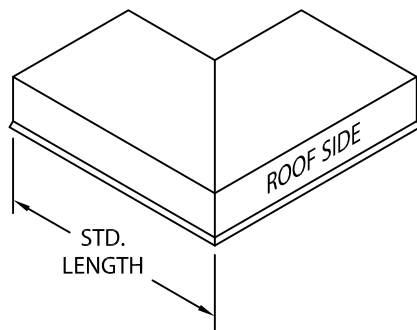
B



PARAGUARD M COPING



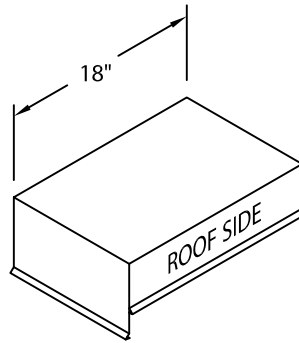
OUTSIDE MITER



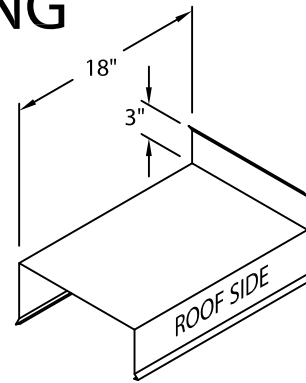
INSIDE MITER

MITER STANDARD LEG LENGTH:
WALL SIZE + 9⁵/₈" = LENGTH

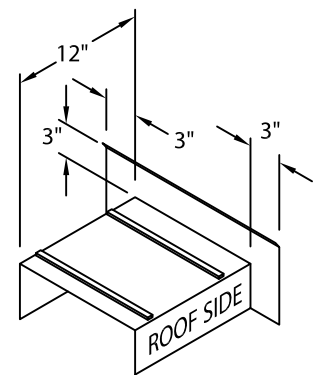
PARAGUARD M COPING STANDARD ACCESSORIES



ENDCAP
(LEFT HAND SHOWN)



ENDWALL FLASHING
COPING VERSION
(RIGHT HAND SHOWN)



ENDWALL FLASHING
SPLICE PLATE VERSION
(RIGHT HAND SHOWN)
(AVAILABLE ONLY IN
.040" WELDED, PAINTED
TO MATCH COPING)

ADDITIONAL ACCESSORIES ARE AVAILABLE ON WEBSITE:

- TRANSITION MITERS
- STRAIGHT TRANSITION MITERS
- "T" MITERS
- "Z" MITERS
- STEP-UP MITERS
- PEAK / VALLEY MITERS
- PILASTER CAPS
- RADIUS COPING
- ARCHED COPING

(FOR ADDITIONAL ACCESSORY REQUIREMENTS, ATTACH SKETCHES OR CALL MANUFACTURER FOR ASSISTANCE).

ANCHOR CLIP SPACING:

- 24 GA. / .040", 16" WALL SIZE OR LESS, ANCHOR CLIPS ARE 48" O.C.
- 24 GA. / .040", OVER 16" WALL SIZE, ANCHOR CLIPS ARE 36" O.C.
- 22 GA. / .050" / .063", 26¹/₂" WALL SIZE OR LESS, ANCHOR CLIPS ARE 48" O.C.
- 22 GA. / .050" / .063", OVER 26¹/₂" WALL SIZE, ANCHOR CLIPS ARE 36" O.C.
- FLORIDA JOBS HAVE ANCHOR CLIPS 36" O.C. FOR ALL WALL SIZES.

ANCHOR CLIP MATERIAL IS 20 GA. GALV. FOR ALL WALL SIZES UP TO 26¹/₂".
16 GA. GALV. FOR ALL WALL SIZES GREATER THAN 26¹/₂"

PHONE: 800-922-8800
EMAIL: PGUARD@SIPLAST.COM

DATE: 12/07/18
DRN BY: JJC
CKD BY: SAK

SHT.# ___ OF ___

DWG# 44011-28219 **B**