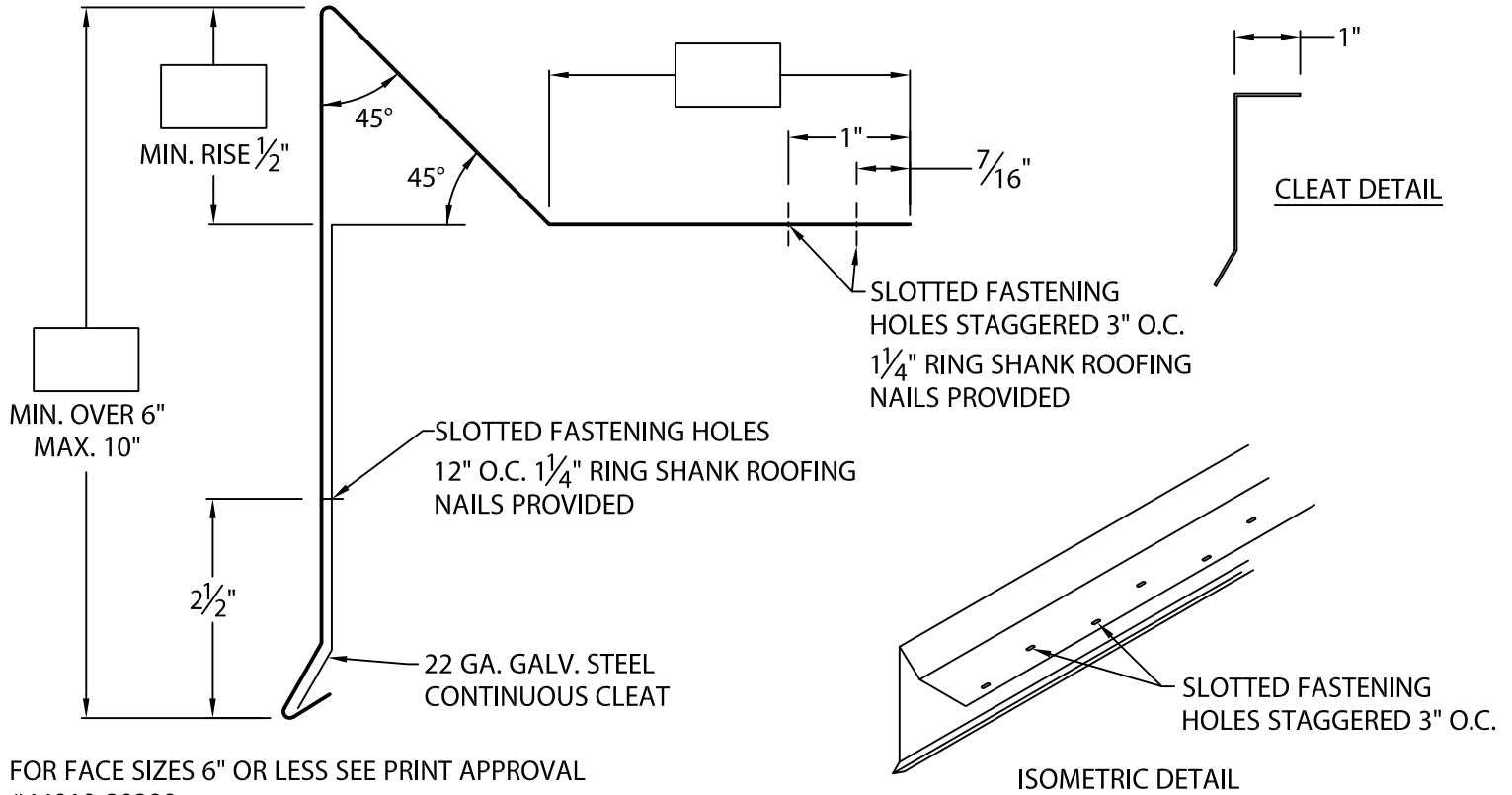




# PROFORM M GRAVEL STOP

OVER 6" TO 10" FACE HEIGHT WITH CONTINUOUS CLEAT VERSION

ANSI/SPRI/FM 4435/ ES-1 DESIGN PRESSURE OF 258 psf



## NOTES:

- INCLUDES 6" WIDE CONCEALED SPLICE PLATES.
- CONCEALED SPLICE PLATES MUST BE FIELD CAULKED TO PREVENT WATER ENTRY.

Fabrication will proceed only after receipt of signed print approval.

## Print Approval:

Contractor shall verify all dimensions, sizes and quantities. All products to be installed in strict accordance with Siplast's printed instructions.

Approved by: \_\_\_\_\_

Date: \_\_\_\_\_

\* WELDED ACCESSORIES REQUIRE A MINIMUM MATERIAL THICKNESS OF .050".

## MATERIAL:

- \_\_\_\_ 24 GA. GALVANIZED STEEL \*
- \_\_\_\_ .040" ALUMINUM \* COLOR: \_\_\_\_\_
- \_\_\_\_ .050" ALUMINUM FINISH: \_\_\_\_\_
- \_\_\_\_ .063" ALUMINUM
- \_\_\_\_ OTHER \_\_\_\_\_

## QUANTITIES:

- \_\_\_\_ LINEAL FEET 12'-0" LENGTHS
- \_\_\_\_ OUTSIDE MITERS @ 90° (WELDED ONLY)
- \_\_\_\_ INSIDE MITERS @ 90° (WELDED ONLY)

FOR NON 90° MITERS SEE PRINT APPROVAL #44010-15636

PROJECT:

ROOFING CONTRACTOR:

SHIP TO ADDRESS:

CITY, STATE, ZIP:

PHONE: 800-922-8800

EMAIL: PGUARD@SIPLAST.COM



DATE: 03/11/19

DRN BY: JJC

CKD BY: SAK

SHT.# \_\_\_\_ OF \_\_\_\_

DWG# 44010-24961

E